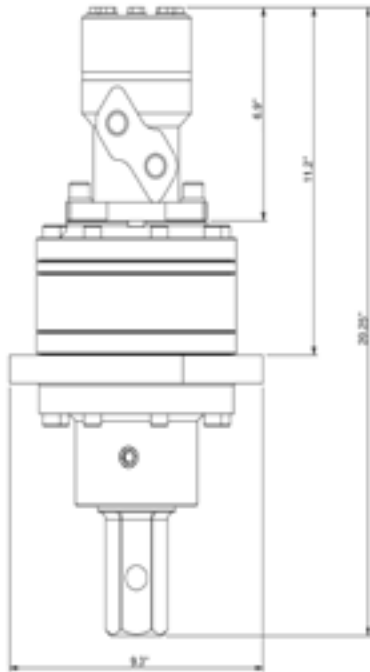


HELICAL DRIVE HEADS HAND-HELD



Lightweight hand-held helical anchor drive for the installation of helical piles in confined or low access sites such as crawl spaces. This unit can be powered by portable hydraulic power packs.

FEATURES

- Compact high torque gearbox.
- Lightweight - just 90lbs for ease of movement in confined spaces
- Fitted with a high efficiency geroler hydraulic motor
- Motor mounted pressure relief valve fitted standard
- 1yr gearbox and 1yr motor warranty

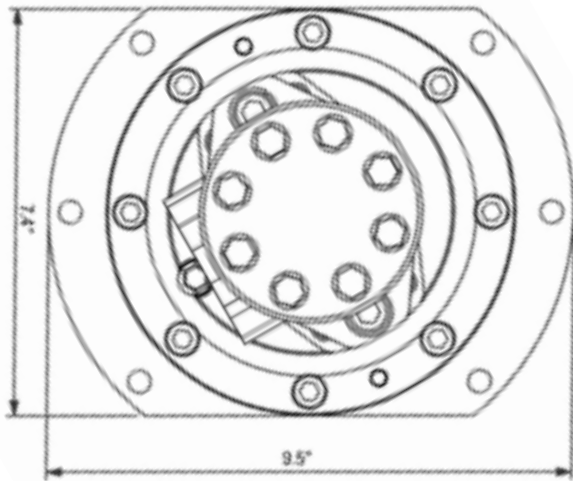
SPECIFICATIONS

MODEL	HH-6K	HH-8K
Max Torque ft-lbs	6,217	8,548
Max Pressure	3000psi @ 11gpm	
Max Flow	15gpm @ 2300psi	
Max Horse Power	20	20
Pressure Relief Valve	Included	Included
Standard Output Shaft	2" Hex	2" Hex
Weight (lbs)	90	90
Overall Length (in)	20"	20"
Diameter (in)	9.5"	9.5"

Hand-held units are not suitable for machine mounting. Warranty void if used on machines.

OUTPUT SPEED & TORQUE

6-HH				8-HH			
OUTPUT SPEED		OUTPUT TORQUE		OUTPUT SPEED		OUTPUT TORQUE	
GPM	RPM	PSI	FT-LBS	GPM	RPM	PSI	FT-LBS
7	7	500	1,554	7	7	500	1,554
8	8	750	2,331	8	8	750	2,331
9	9	1,000	3,108	9	9	1,000	3,108
10	10	1,250	3,886	10	10	1,250	3,886
11	11	1,500	4,663	11	11	1,500	4,663
12	12	1,750	5,440	12	12	1,750	5,440
13	13	2,000	6,217	13	13	2,000	6,217
14	14			14	14	2,250	6,994
15	15			15	15	2,500	7,771
16	16			16	16	2,750	8,548
17	17			17	17		
18	18			18	18		
19	19			19	19		



Output speed and torque specifications are THEORETICAL. Speed and torque output are dependent on the overall system efficiencies associated with the prime movers hydraulic system. This document should be used for information and comparative purposes only. When determining criteria, & application specific information is required, please contact PierTech.